



Stainless Steel Sinks & Accessories

200069

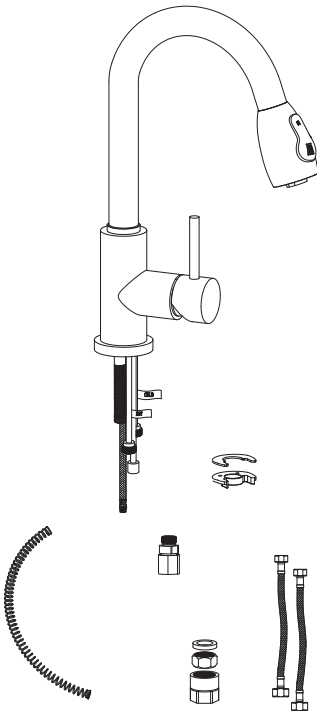
Address : 5171 Steeles Ave West, Toronto M2N 3G7

Installation Instruction

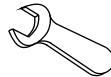
Single Handle Pull-down Kitchen Faucet

Before Your Installation

Check to make sure you have the following parts indicated below:



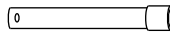
Tools You Will Need



Adjustable wrench



Adjustable wrench



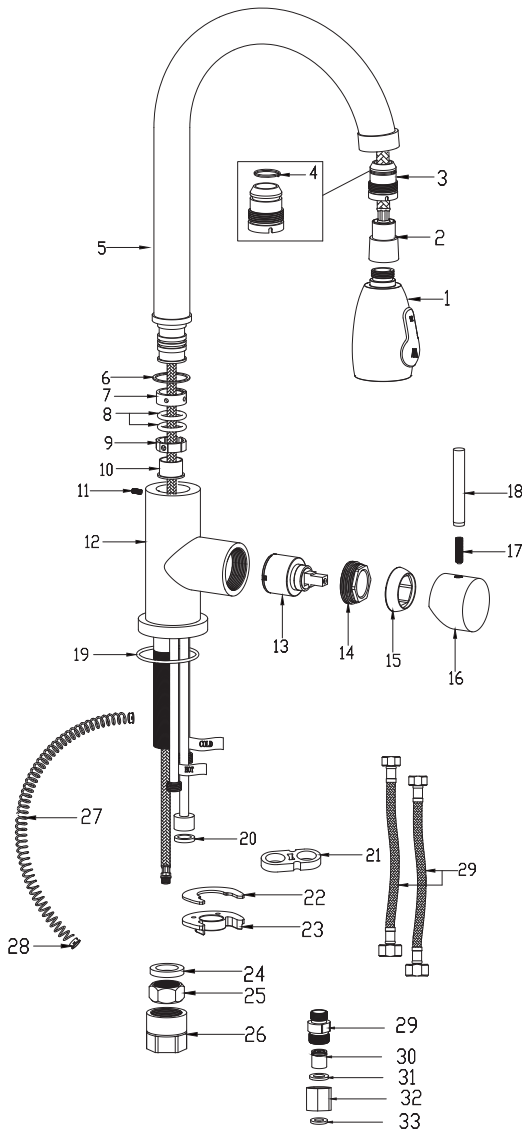
Spanner for body
(supplied)



Increase the high cushion

Replacement Parts

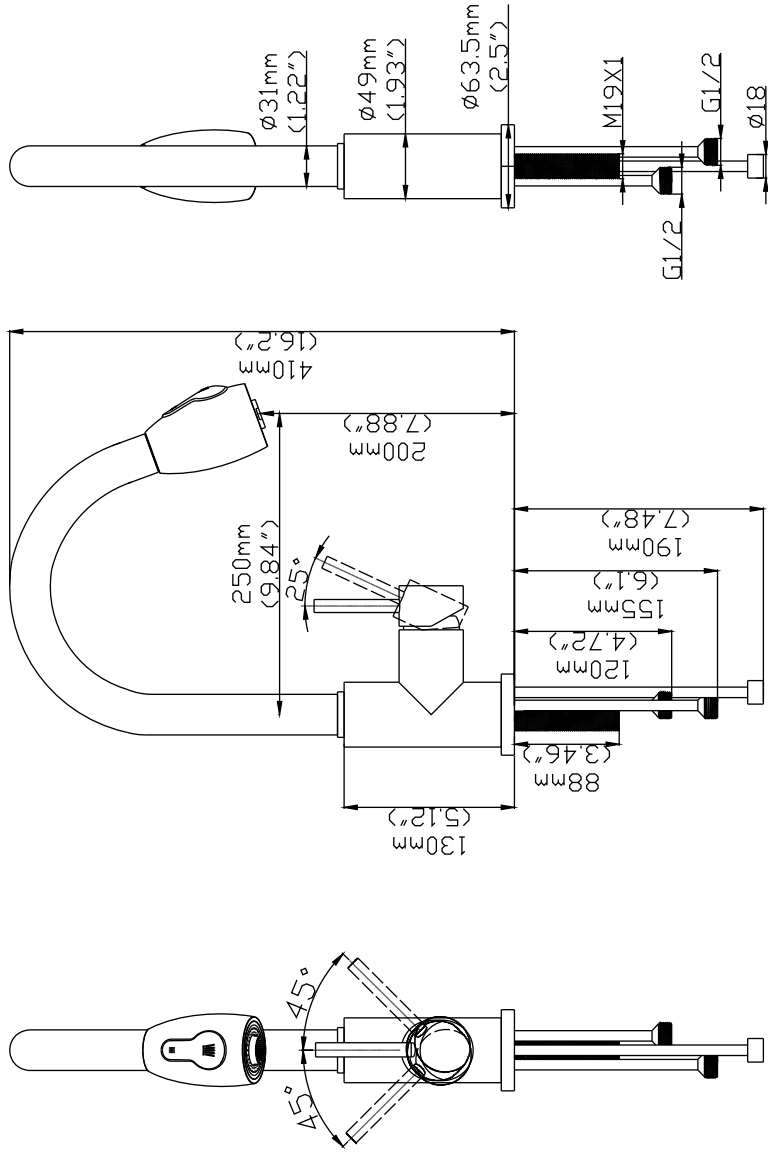
Keep this manual for ordering replacement parts.



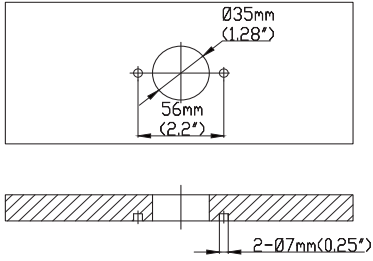
NO NAME

1. Sprayer
2. Black nylon hose
3. Locating sleeve
4. Steel ring
5. Spout
6. Anti-friction ring
7. Plastic retainer ring
8. O-ring
9. Plastic retainer ring
10. Noise silencer
11. Screw
12. Faucet body
13. Cartridge
14. Locking nut
15. Cartridge cover
16. Handle knob
17. Screw
18. Handle bar
19. Bottom rubber
20. Gasket
21. Plastic stop collar
22. Locking rubber
23. Locking gasket
24. Locking gasket
25. Locking nut
26. Noise silencer
27. Spring
28. Anti-friction sleeve
29. Hose
30. Check valve
31. Flat gasket
32. Sleeve
33. Flat gasket

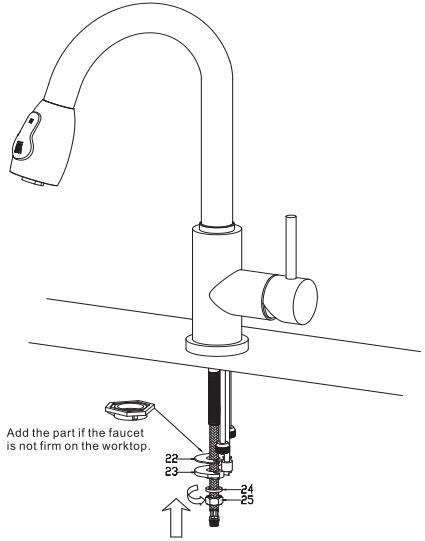
Product Dimension Drawing



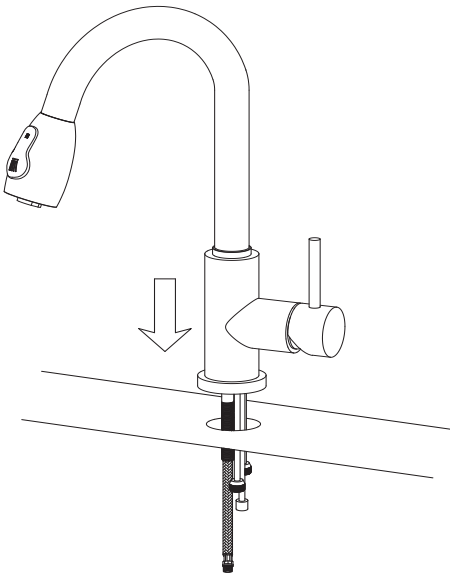
Faucet Installation Procedures



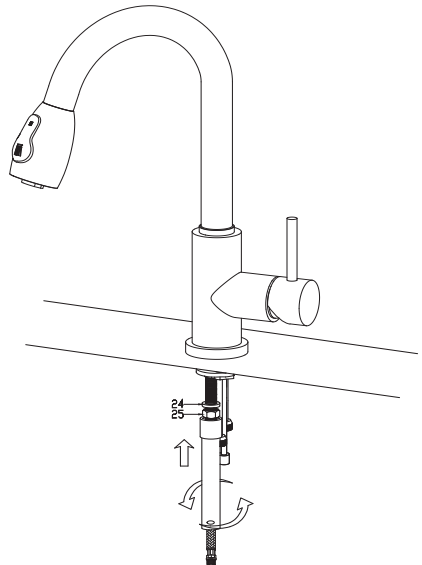
step ②



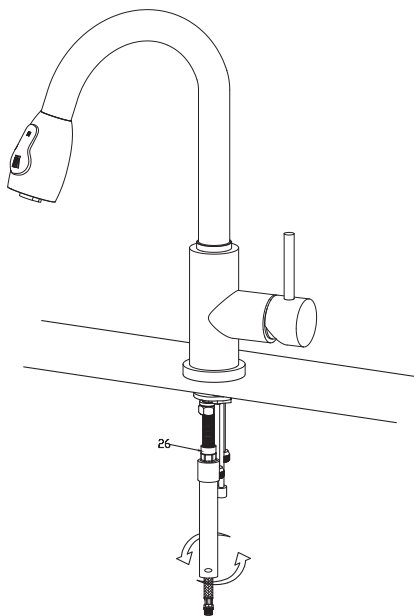
step ①



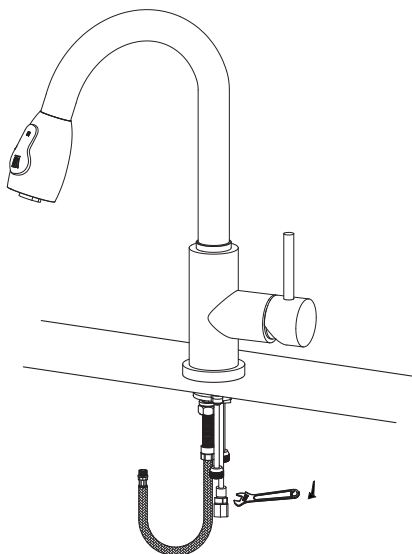
step ③



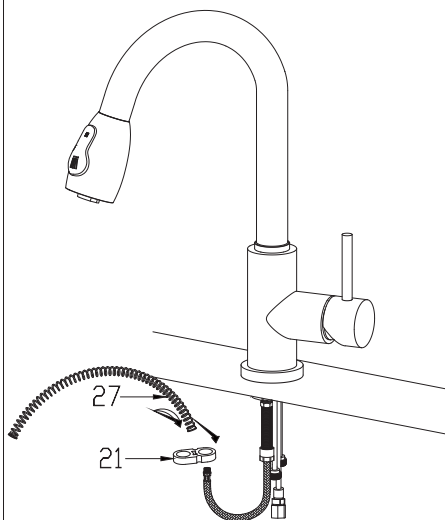
step ④



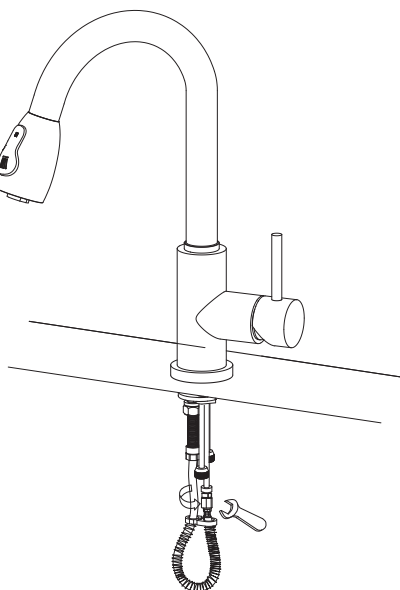
step ⑤



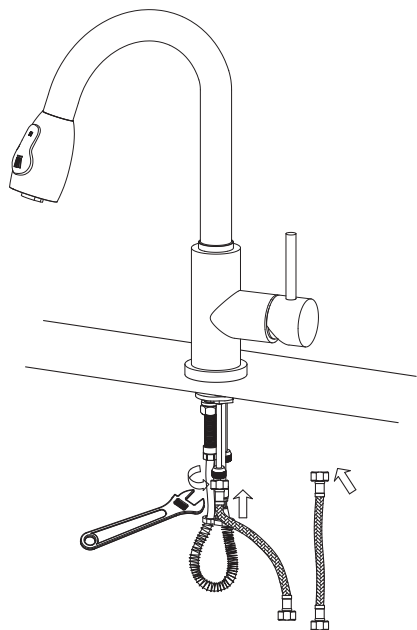
step ⑥



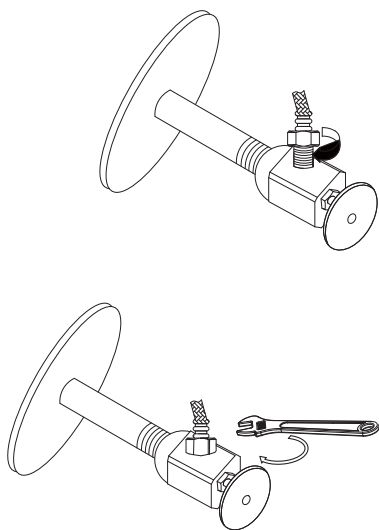
step ⑦



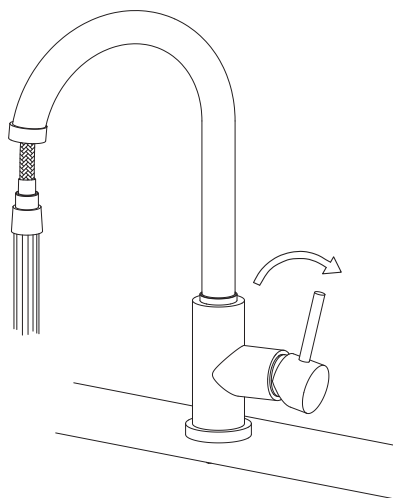
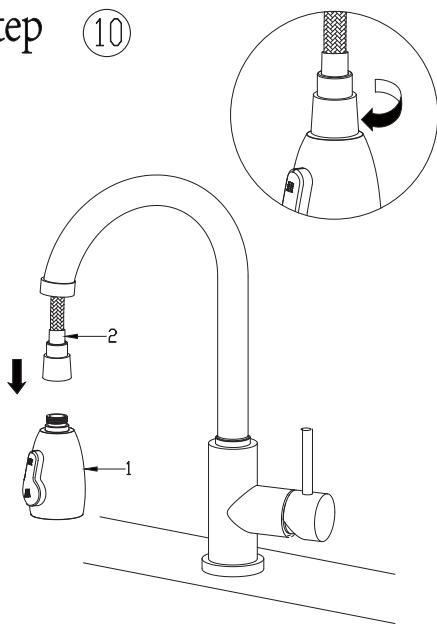
step ⑧



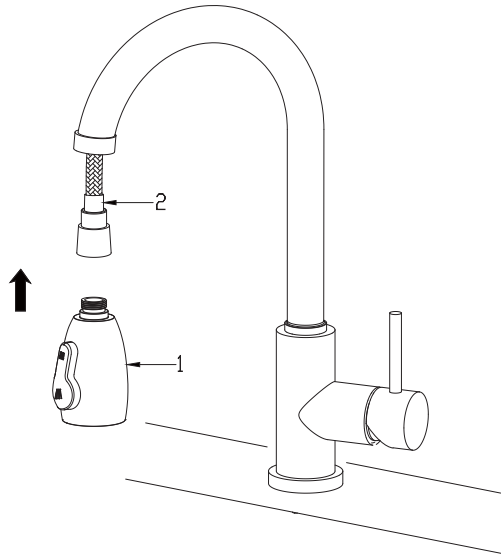
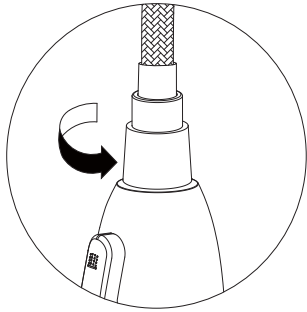
step ⑨



step ⑩



step ⑪



step ⑫

